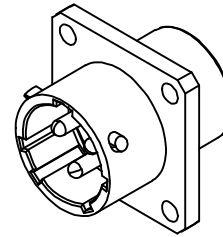


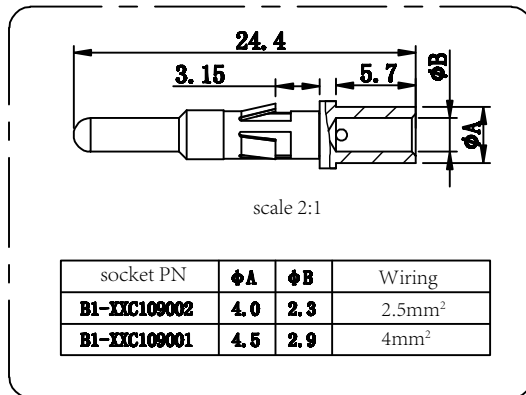
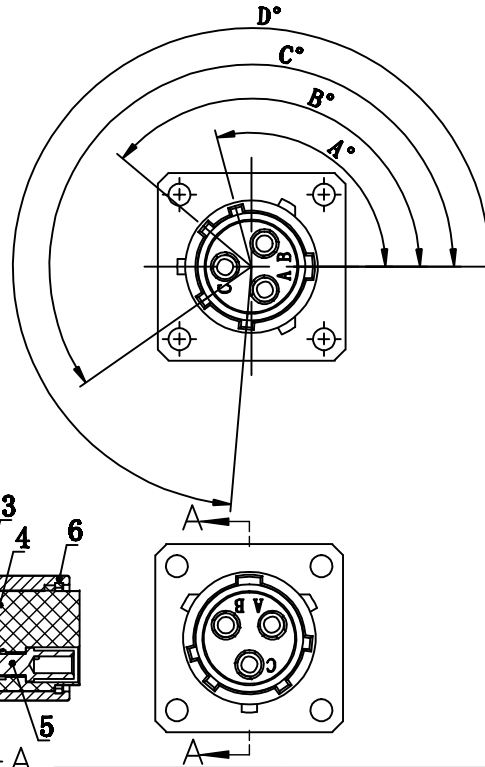
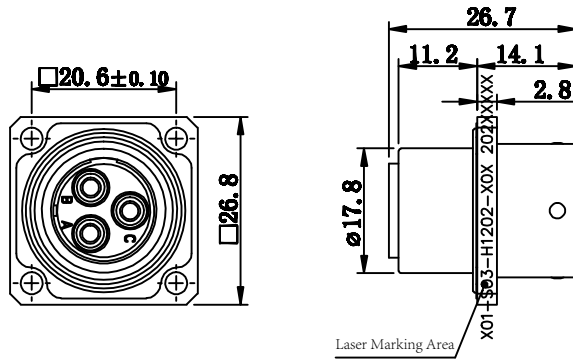
No	series	Plug PN	Housing	Socket assembly	Backup
1	X01-S03-H1202-N02	A1-XXC109S021	X01-S01-H1201-N01	B1-XXC109002	N Key /black/2.5mm ² Cable
2	X01-S03-H1202-W02	A1-XXC109S022	X01-S01-H1201-W01		W Key /yellow/2.5mm ² Cable
3	X01-S03-H1202-X02	A1-XXC109S023	X01-S01-H1201-X01		X Key /red/2.5mm ² Cable
4	X01-S03-H1202-Y02	A1-XXC109S024	X01-S01-H1201-Y01		Y Key /green/2.5mm ² Cable
5	X01-S03-H1202-Z02	A1-XXC109S025	X01-S01-H1201-Z01		Z Key /blue/2.5mm ² Cable
6	X01-S03-H1202-N04	A1-XXC109S026	X01-S01-H1201-N01	B1-XXC109001	N Key /black/4mm ² Cable
7	X01-S03-H1202-W04	A1-XXC109S027	X01-S01-H1201-W01		W Key /yellow/4mm ² Cable
8	X01-S03-H1202-X04	A1-XXC109S028	X01-S01-H1201-X01		X Key /red/4mm ² Cable
9	X01-S03-H1202-Y04	A1-XXC109S029	X01-S01-H1201-Y01		Y Key /green/4mm ² Cable
10	X01-S03-H1202-Z04	A1-XXC109S030	X01-S01-H1201-Z01		Z Key /blue/4mm ² Cable

ECN NO.	REV	DATE	DESCRIPTION	MDF'D	APP'D
	A0	2022.7.3	Initial version	ZsH	Qilin



List2

Key	A±1°	B±1°	C±1°	D±1°
N Key	105	140	215	265
W Key	30	140	215	265
X Key	105	165	215	265
Y Key	105	140	225	265
Z Key	105	140	215	315



Technical requirements:

- Material:
 - Contact: a copper alloy/silver plated;
 - Shell: PA66+GF, flame retardant grade UL94-V0;
 - Waterproof parts: NE-1340 silicone rubber;
- Rated voltage: 630V DC;
- Rated current: 20A (2.5mm²), 25A (4mm²);
- Withstand voltage: 1500V AC
- Insulation resistance:>2000m Ω (normal)
- Working temperature: - 40 C ~+125 C
- Mechanical life:>200 times
- Insertion force:<75N
- Waterproof grade: IP67/IPX9 (matching status)
- With high voltage interlock or not: Yes
- The product meets the ROHS requirements for environmental protection.

6	12# Ring	X01-P01-HRQ1-158	1	
5	φ2.4 Socket assembly	List1	3	
4	3 core Mounting plate	X01-S03-H1201-C16	1	
3	12# Gasket	X01-S01-H1201-007-1	1	
2	12# Oring	X01-S01-H1201-N06	1	
1	12# Housing	List1	1	
No	Part Name	PN	NUM	Backup

General Tolerance	Angle Tolerance
X ±0.5	±1°
.X ±0.2	
.XX ±0.1	
MATL: SEE-NOTES	
CUSTOMER-DRAWING	

POWER DYNAMICS INC.				
145 Algonquin Parkway, Whippany, NJ 07981				
Phone: 1-973-560-0019		e-mail: sales@powerdynamics.com www.powerdynamics.com		
DESIGNER	ZsH	TITLE: XX109 High Voltage Metal Socket		
CHECKED	ZsH	PARTS NO: A1-XXC109S0XX		
APPROVAL	Qilin	(UNIT): mm	(SCALE): 1:1	(SHT): 1/1